

PROPERTY INFORMATION		
TRACT NO.	SURFACE OWNER (SO)	MINERAL OWNER (MO)
2	RUSSELL COUNTY RECLAMATION, LLC	ACIN, LLC
3	HEARTWOOD FORESTLAND FUND IV, L.P.	ACIN, LLC
4	NORFOLK SOUTHERN CORPORATION	ACIN, LLC
5	PYXIS RESOURCE CO./CLINCHFIELD COAL CO.	ACIN, LLC
6	BOBBI G. NEAL	ACIN, LLC

GENERAL NOTES
 1. PROPERTY INFORMATION SUPPLIED BY DICKENSON-RUSSELL COAL COMPANY, LLC. and RUSSELL COUNTY RECLAMATION, LLC

COMMONWEALTH OF VIRGINIA
 VIRGINIA DEPARTMENT OF ENERGY
 MINE LAND REPAIR/RECONSTRUCTION
 3405 Mountain Empire Road, BIG STONE GAP, VA 24219
 TELEPHONE: 276/524-8100

MAP LEGEND

Application	Revision	CSMO Permit No.	1302253
Relinquishment	Deletion	Application No.	2005
Anniversary	Completion	Map Title:	2022 Anniversary Map

COMPANY		THIS APPLICATION		SINCE PERMIT INSTANCE	
Russell County Reclamation, LLC		SYMBOL	NUMBER OF ACRES	TOTAL CUMULATIVE NUMBER OF ACRES	ACRES
OUTLINED RED	1	Disturbed Area (Prior to 08/03/77)	1272.25	Disturbed	855.39
SHADED RED	2	Undisturbed	406.96	Regraded	316.98
SHADED YELLOW	3	Acres being reseeded in this application		Vegetated	362.56
HATCHED - MAGENTA	4	That will be reseeded (Prior to 08/03/77)		Remaining undisturbed	406.96
SHADED BROWN	5	Regraded without partial bond release	11.42	With partial bond release	128.48
SHADED GREEN	6	Vegetated without partial bond release	174.08	Released (incrementally bonded only)	72.39
HATCHED - BROWN	7	Regraded with partial bond release (Phase I)			
HATCHED - GREEN	8	Vegetated with partial bond release (Phase I)	128.48		
CROSS-HATCH GREEN	9	Vegetated with partial bond release (Phase II)			
HATCHED - BLUE	10	Bonding increment(s) reporting full bond release (Phase III, acrements)	2.25		
HATCHED - ORANGE	11	Disturbed, but not regraded	548.41		
CROSS-HATCH PURPLE	12	Being regraded to under Permit No. _____ Application No. _____			
HATCHED - RED	13	Being dewatered, undisturbed			
SHADED BLUE	14	Streams, water drainways, sediment ponds. (To be calculated in disturbed acres)			
PURPLE LINES	15	Pre-Existing Highway (Disturbed Prior to 08/03/77)			
	16	Linear feet _____ Square feet _____			

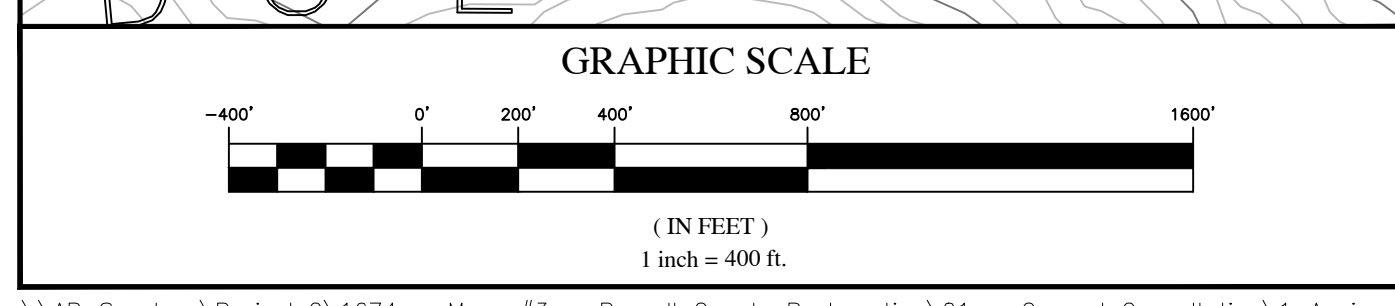
MAP PREPARED BY: Tad E. Nunley
 P.E. License No. (Virginia): 30497

CERTIFICATION: I, the undersigned, hereby certify this map to be true and accurate, showing to the best of my knowledge and belief, all information required by the Virginia Coal Surface Mining Control and Reclamation Act of 1979, as amended, and the regulations promulgated thereunder.

APPX. SEAL

TAD E. NUNLEY
 Lic. No. 30497

PROFESSIONAL ENGINEER



RUSSELL COUNTY RECLAMATION, LLC

ANNIVERSARY MAP

Appalachian Technical Services, Inc.
 Engineering, Architecture, Surveying, Ecology & Environmental Science

Permit No. 1302253 Application No. 20005
 Drawing Number: 2022_ANNIVERSARY_MAP Sheet: 01
 Sheet/Layout Name: 362.56 Project Number: 1674.01 Scale: 1"=400' Sheet: 01

Designed By: LAC Drawn By: CAC Checked By: TEN Date: 02/03/2023